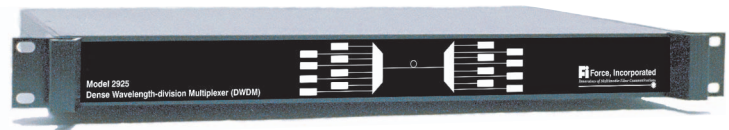


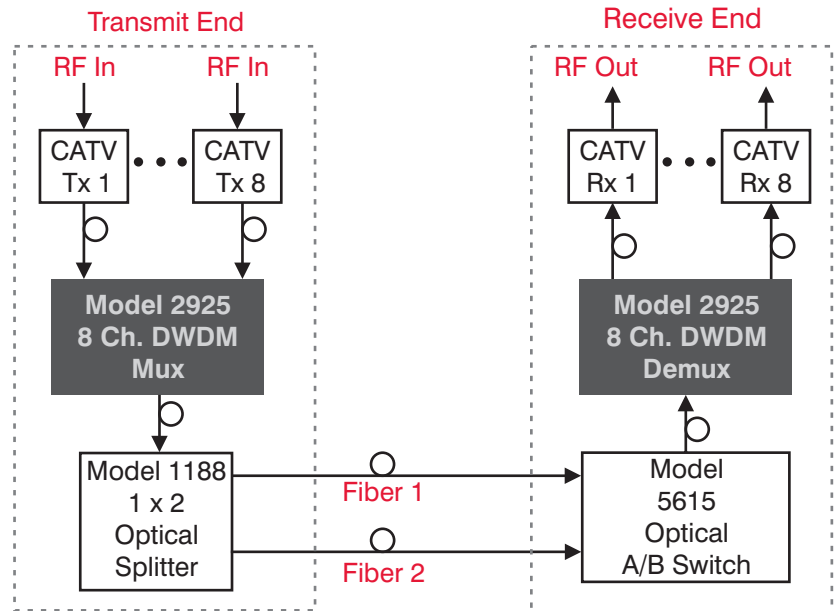
DWDM Transport

- Model 2925 offers low insertion loss and polarization-dependent loss.
- High channel-to-channel uniformity allows excellent stability and reliability.
- Great for use in high-speed communication and long-haul telecommunication networks.
- Extends the capacity of existing networks.



Model 2925: DWDM

The Force Model 2925 Dense Wavelength-division Multiplexer (DWDM) is an all-fiber, bidirectional multiplexer/demultiplexer. The DWDM allows four, eight, 16, or 32 channels to be stacked in the 1550 nm region of optical fiber. The Model 2925 features low insertion loss and a low polarization-dependent loss. The units operate using single-mode fiber, and may be configured for unidirectional or bidirectional four, eight, 16, or 32 channel transmission. The Model 2925 implements higher channel-to-channel isolation to ensure that no interference occurs between channels in a bidirectional configuration. DWDM technology increases the capacity of the embedded fibers, allowing multiple video, audio, and data channels to be transmitted over one fiber, while maintaining system performance and enhancing transport systems. The Model 2925 is an excellent choice for addressing the increased need for efficient and capable data transmission.



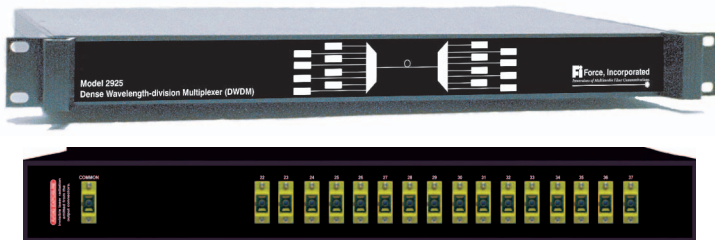
Specifications and Ordering Information

Optical Characteristics

	Min	Typ	Max	Units
4 Channel Models				
Standard ITU Channels		22-25		
0.5 dB Passband		0.75		nm
Insertion Loss		2.0	2.4	dB
Channel Uniformity			1.2	dB
Isolation of Adjacent Ch.	25			dB
Isolation of Non-Adjacent Ch.	40			dB
Directivity	55			dB
Polarization Dependent Loss			0.1	dB
Return Loss	45			dB
PMD			0.1	ps
Thermal Stability			0.006	dB/°C
Thermal Wavelength Drift			0.002	mm/°C
Optical Power			250	mW
8 Channel Models				
Standard ITU Channels		22-29		
0.5 dB Passband		0.75		nm
Insertion Loss		3.6	4.5	dB
Channel Uniformity			1.5	dB
Isolation of Adjacent Ch.	25			dB
Isolation of Non-Adjacent Ch.	40			dB
Directivity	55			dB
Polarization Dependent Loss			0.1	dB
Return Loss	45			dB
PMD			0.1	ps
Thermal Stability			0.007	dB/°C
Thermal Wavelength Drift			0.002	mm/°C
Optical Power			250	mW

Optical Characteristics cont.

	Min	Typ	Max	Units
16 Channel Models				
Standard ITU Channels		22-37		
0.5 dB Passband		0.38		nm
Insertion Loss		5.2	5.8	dB
Channel Uniformity			1.5	dB
Isolation of Adjacent Ch.	25			dB
Isolation of Non-Adjacent Ch.	40			dB
Directivity	55			dB
Polarization Dependent Loss			0.15	dB
Return Loss	45			dB
PMD			0.2	ps
Thermal Stability			0.008	dB/°C
Thermal Wavelength Drift			0.001	mm/°C
Optical Power			250	mW
32 Channel Models				
Standard ITU Channels		21-36 plus 41-56		
0.5 dB Passband		0.35		nm
Insertion Loss		7.5	8.5	dB
Channel Uniformity			1.5	dB
Isolation of Adjacent Ch.	25			dB
Isolation of Non-Adjacent Ch.	40			dB
Directivity	55			dB
Polarization Dependent Loss			0.2	dB
Return Loss	45			dB
PMD			0.2	ps
Thermal Stability			0.01	dB/°C
Thermal Wavelength Drift			0.001	mm/°C
Optical Power			250	mW



Model 2925 DWDM Front and Rear Panels

Environmental and Physical Characteristics

	Min	Typ	Max	Units
Operating Temp. Range	0		+65	°C
Storage Temp. Range	-40		+85	°C
Humidity	5		95	%
Weight (RH, non-condensing)		5.5		lbs
		2.4		kg
Dimensions	19.0 x 1.75 x 11.8			in.
	483 x 45 x 300			mm

DWDM and Optical Jumper P/N

DWDM Options	4-ch.	8-ch.	16-ch.	32-ch.
Mux, 1RU, 100 GHz Spacing, SC/APC Conn.	2925WM-SDSP/4	2925WM-SDSP/8	2925WM-SDSP/16	2925WM-SDSP/32
Demux, 1RU, 100 GHz Spacing, SC/APC Conn.	2925WD-SDSP/4	2925WD-SDSP/8	2925WD-SDSP/16	2925WD-SDSP/32

Optical Jumper Options	1 Meter	3 Meters
SM Optical Jumper, SC/APC Conn.	8000-0241-03	8000-0241-04



FORCE

825 Park Street, Christiansburg, VA 24073
 USA (800) 732-5252 • TEL (540) 382-0462 • FAX (540) 381-0392
 csr-sales@forceinc.com • www.forceinc.com